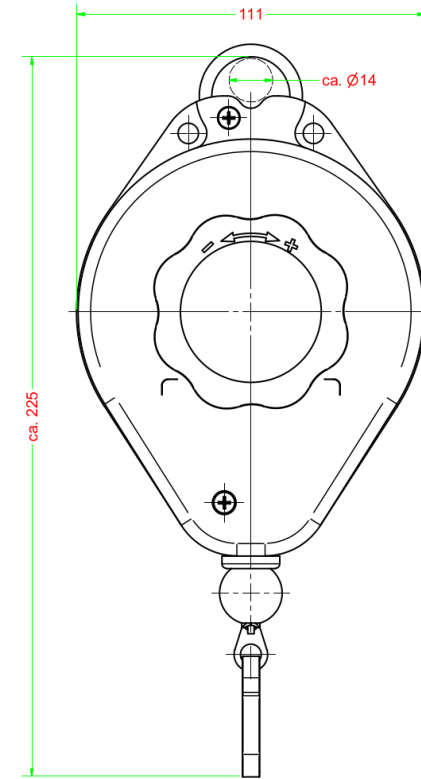
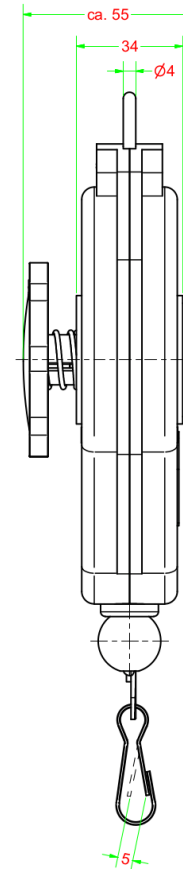


Technical Drawing

Retractor TYPE 5200

Load range: 0.5 – 2.0 kg
Cable travel: 2.0 m

Further information

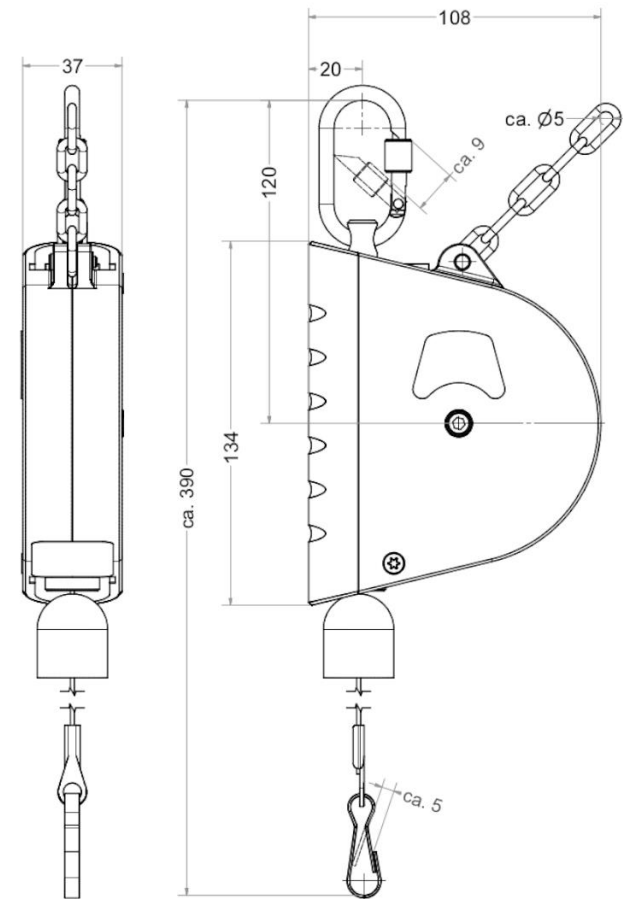


Technical Drawing

Retractor TYPE 7200

Load range: 0.0 – 2.5 kg
Cable travel: 1.6 m

Further information

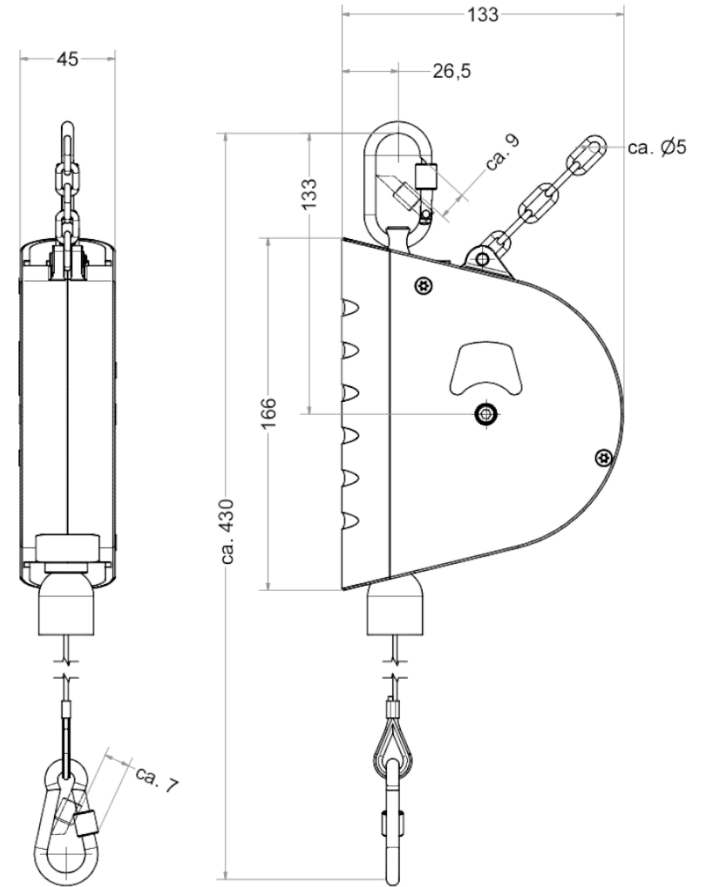


Technical Drawing

Retractor TYPE 7211 / 7212

Load range: 0.5 – 5.5 kg
Cable travel: 2.4 / 1.4 m

Further information



Technical Drawing

Retractor TYPE 7221 / 7222

Load range: 2.0 – 14 kg
Cable travel: 3.0 m

Further information

