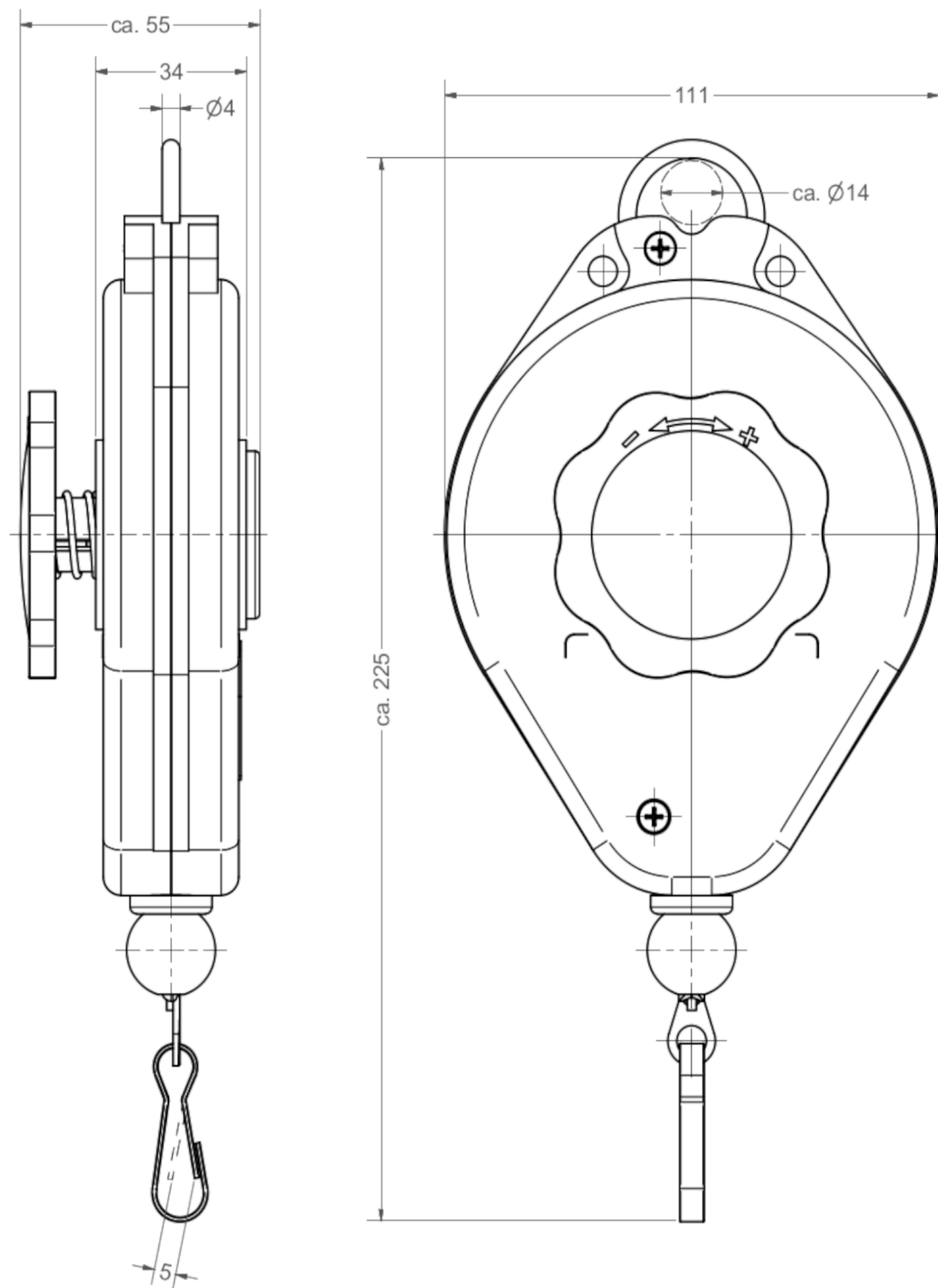


Technical Drawing Type 5200



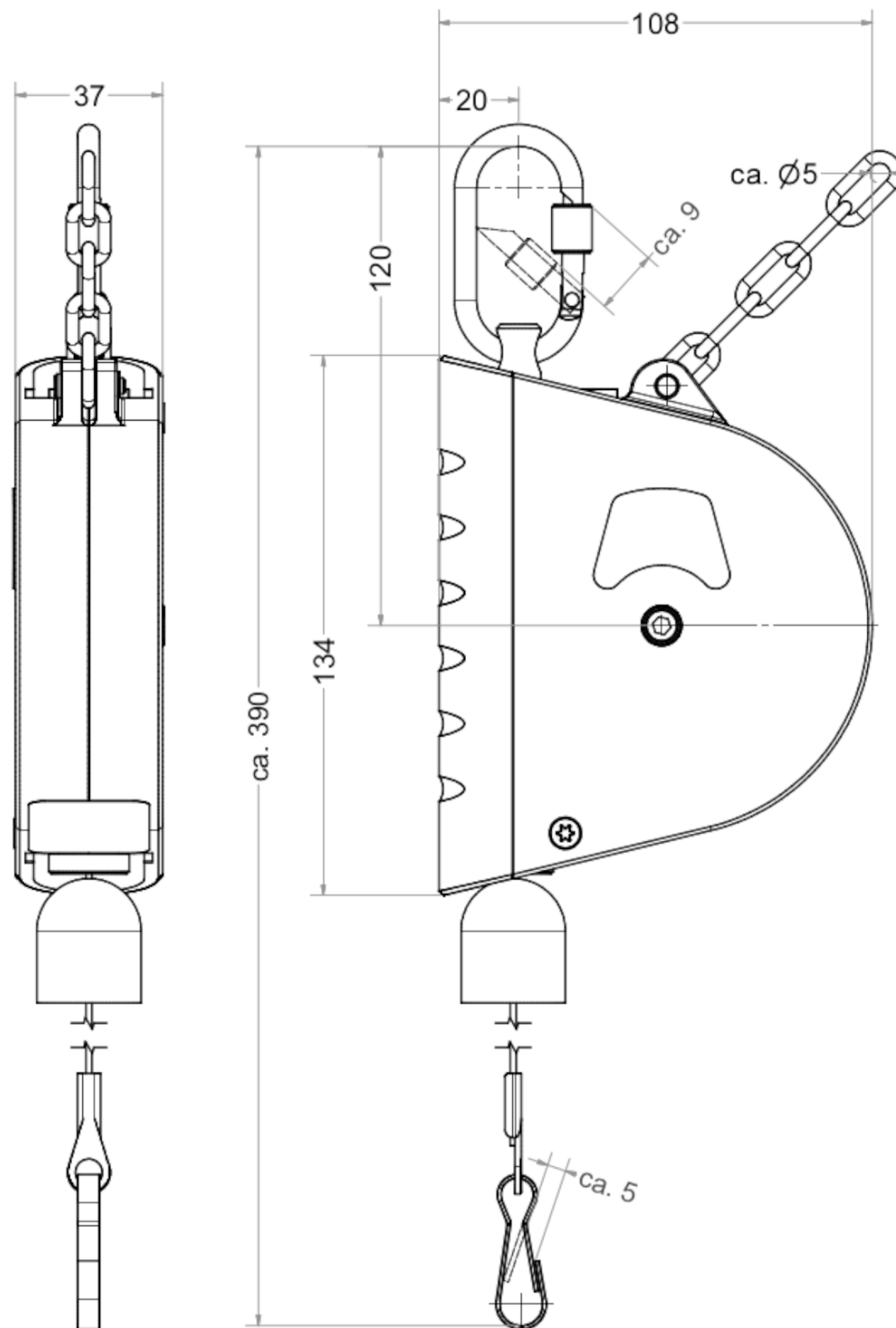
Retractor

Load range: 0.5 - 2.0 kg

Cable travel: 2.0 m

Carl Stahl
KROMER

Technical Drawing Type 7200



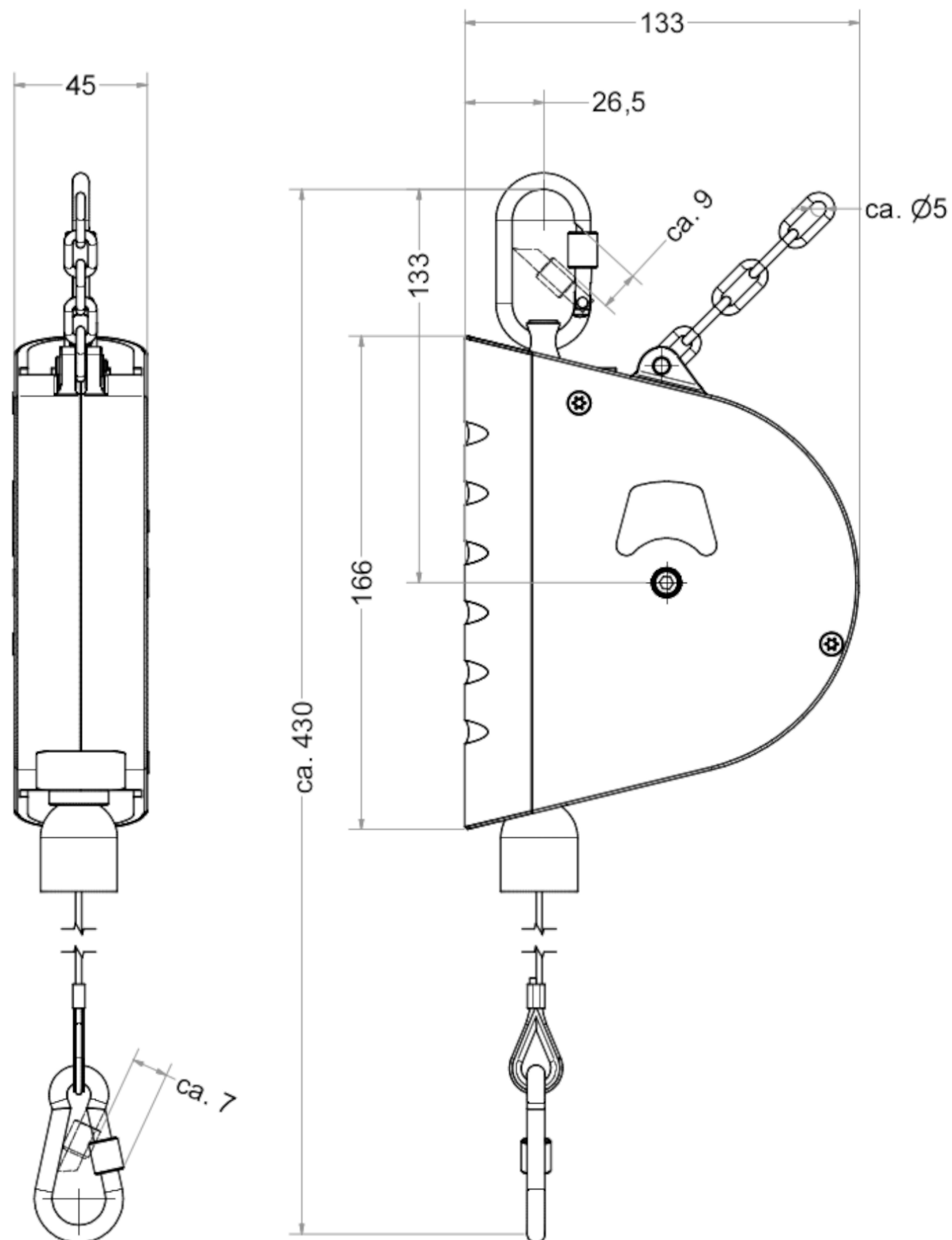
Retractor

Load range: 0.0 - 2.5 kg

Cable travel: 1.6 m

Carl Stahl
KROMER

Technical Drawing Type 7211 / 12



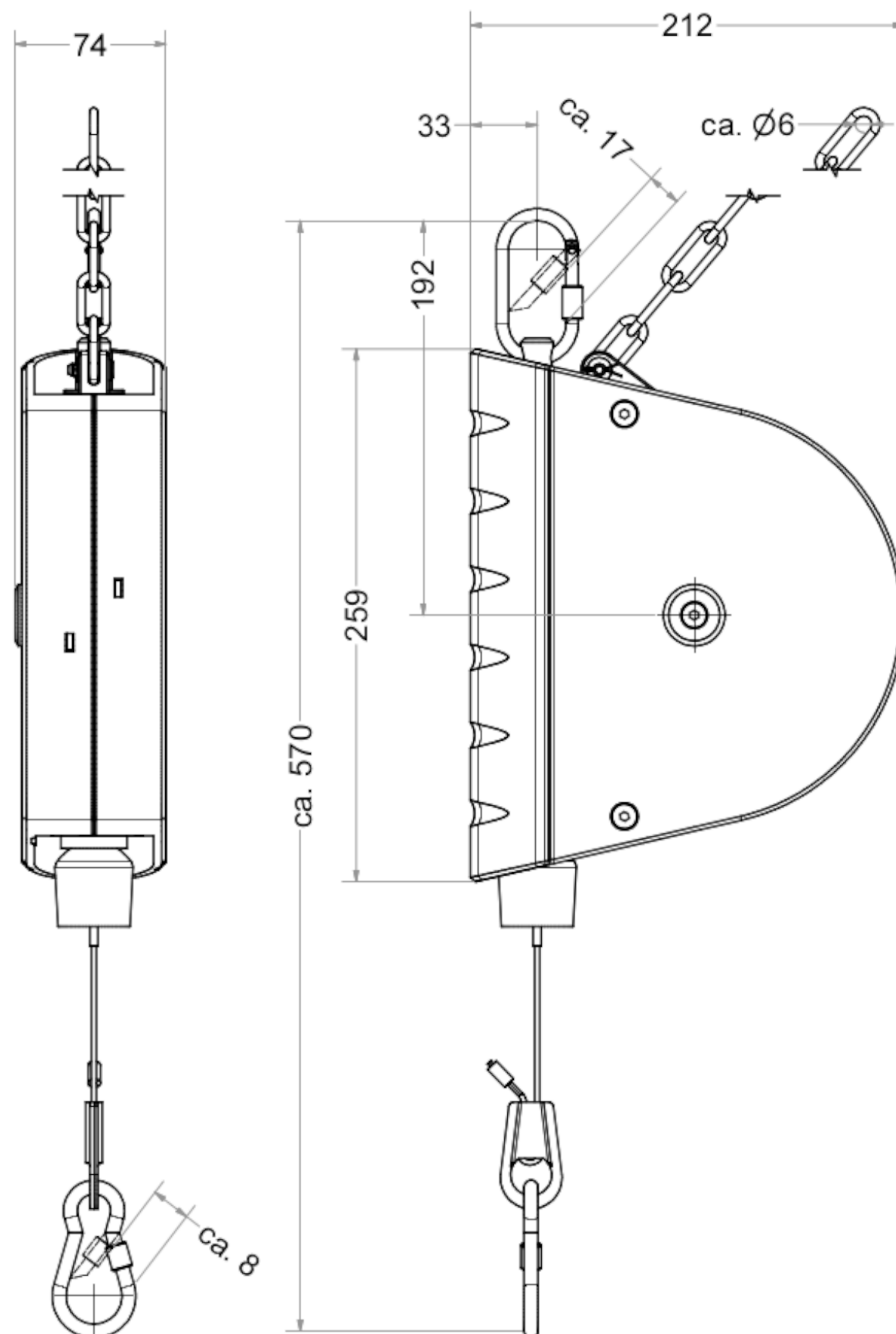
Retractor

Load range: 0.5 - 3.0 kg

Cable travel: 2.5 m

Carl Stahl
KROMER

Technical Drawing Type 7221 / 22



Retractor

Load range: 2.0 - 14.0 kg

Cable travel: 3.0 m

Carl Stahl
KROMER