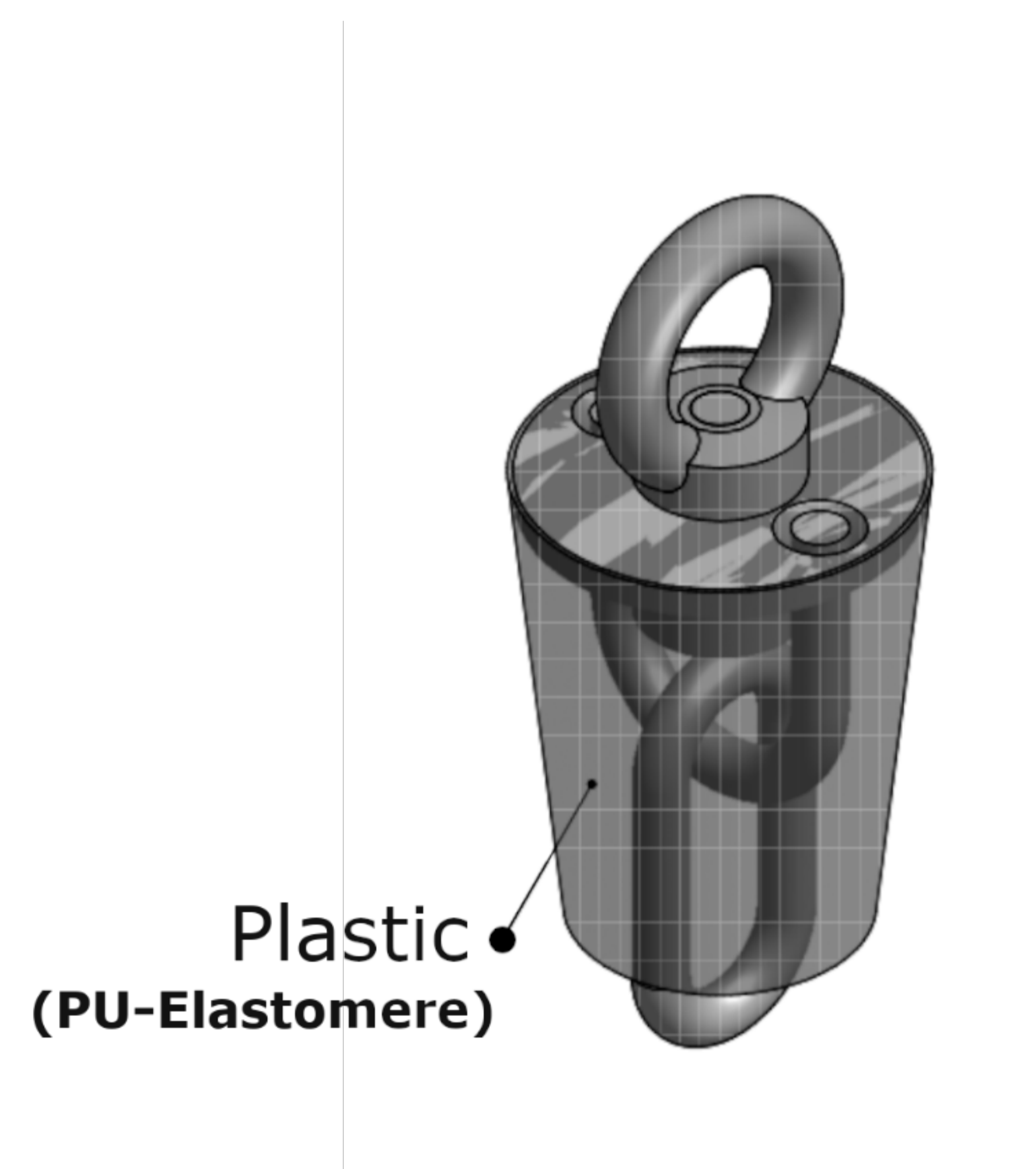
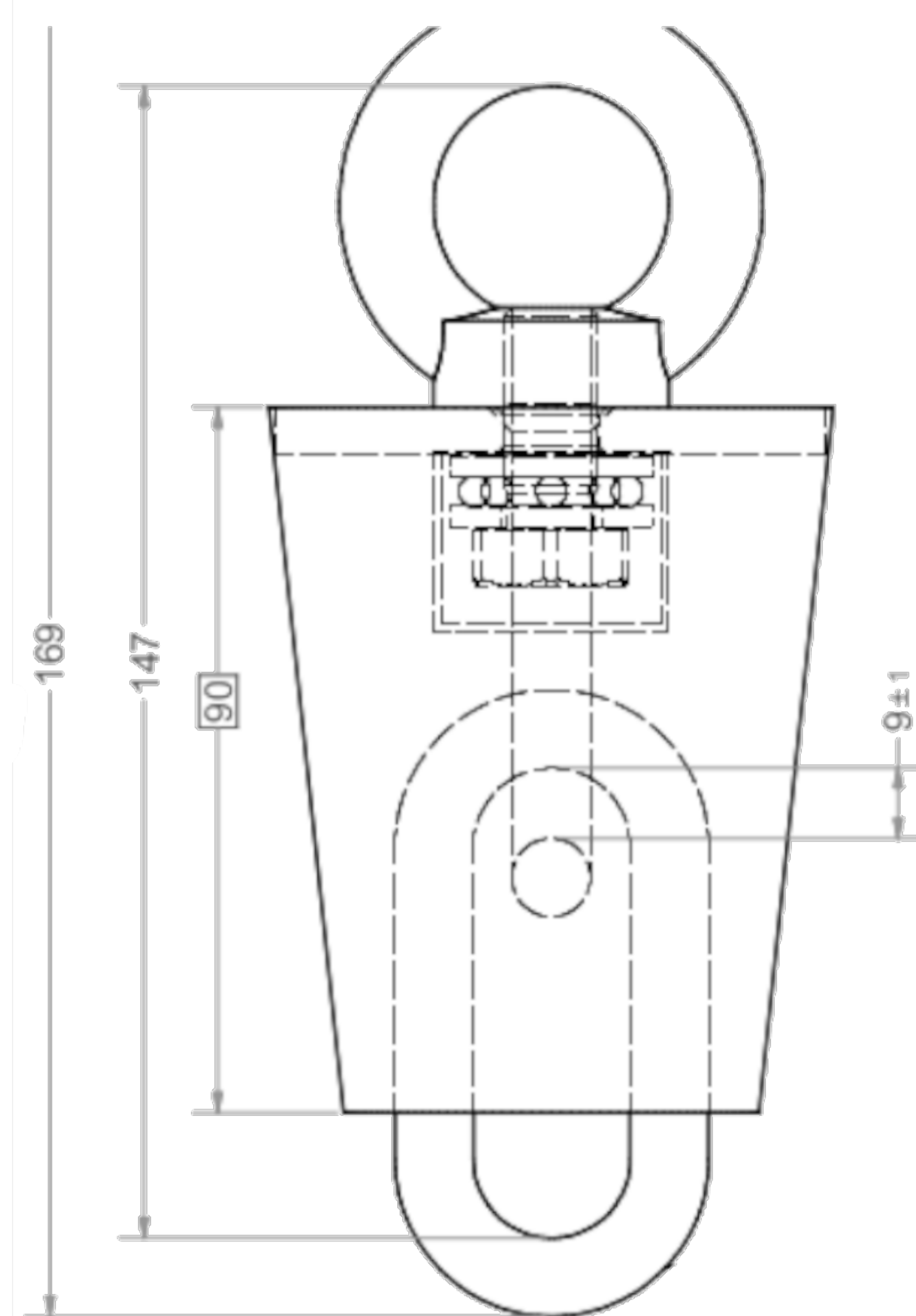
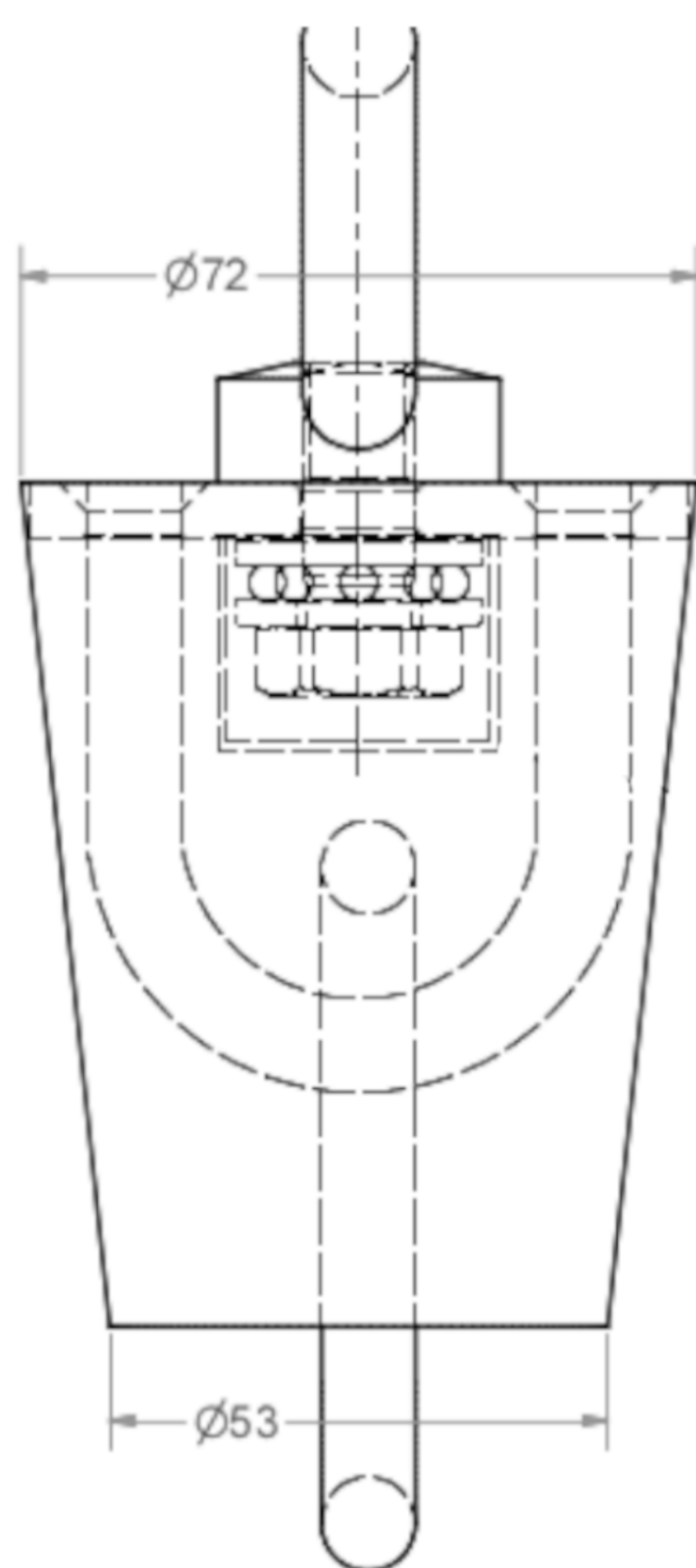


Technical drawing

Article 007.415 001

Insualted Twist Stop



Load insulation
up to 1.000 volts

For Types
7235/36, 7241, 7245, 7251

Net weight
860 g

Carl Stahl
KROMER